

- Industrial Dispensing Equipment & Adhesive Systems
- Industrial Tooling & Maintenance Services
- Industrial Contracting, Engineering & Automation

Q100 Series Mini Guns



The Q100 Series Mini Guns are a fine piece of engineered miniaturisation allowing easy integration in all kinds of parent machines. The Q100 gun not only excels in compact dimensions, but also in a maximum performance and reliability.

The Q100 Mini Guns comes in 2 versions : with Reduced Cavity modules and with regular mini-modules fitting standard nozzles. Both versions accommodate the Air-Open-Air-Close principle for minimised wear, and superior cut-off. Especially the Reduced Cavity type is used in cases where a clean cut-off without glue stringing is required.

The gun body is designed to provide maximum heat transfer to the nozzle tip. The reduced cavity version is available in different sizes depending on the amount of adhesive required in your application.

The inline filter is separated from the hose connection fitting, which not only offers easy access for mounting and cleaning, but also eliminates the risk of cold bridges. This problem often occurs when large fittings with integrated filter are used. The inline filter elements used are compatible with the standard versions commonly used.

Q100 Gun Details

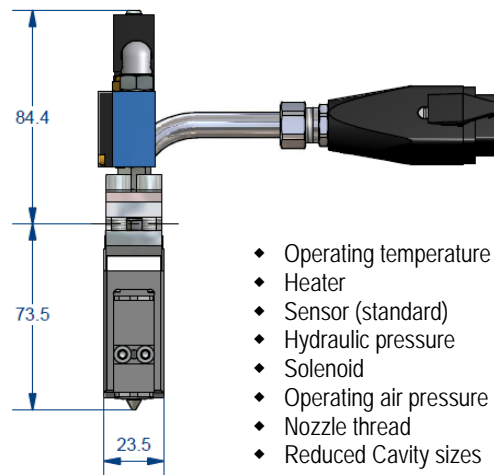
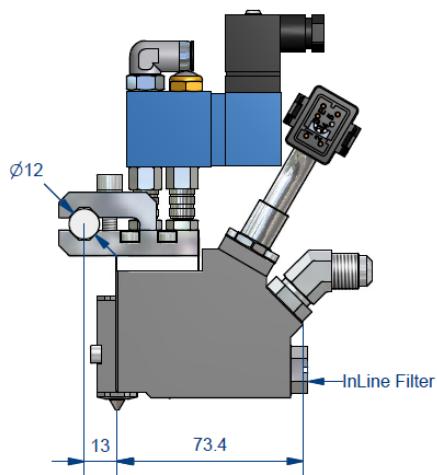


Features & Benefits

- Small dimensions enhance easy integration in machines
- Reduced cavity design provides exact cut-off, minimum glue stringing, and a self-cleaning action
- AOAC principle combined with RC allows fast intermittent application whilst keeping wear to a minimum.
- Integrated mini filter prevents nozzle clogging, and eliminates cold bridges typical for traditional style inline filters
- Filter separated from hose connection for easy replacement and maintenance without disconnecting the hose



Technical Characteristics



- ◆ Operating temperature : 30 – 220 °C
- ◆ Heater : 155 Watt
- ◆ Sensor (standard) : Ni 120
- ◆ Hydraulic pressure : max. 105 bar
- ◆ Solenoid : 24 Vdc – 4/2
- ◆ Operating air pressure : 5 bar
- ◆ Nozzle thread : 3/8" UNF
- ◆ Reduced Cavity sizes : 0,21 – 0,26 – 0,30 – 0,35 – 0,40 – 0,50 – 0,60 – 0,90 mm

Notes : ⁽¹⁾ Figures are dependant on the glue viscosity and glue type used.